

**The Hurricane rig can be used as both a Mirror Rig or Side by Side rig. Below is a step by step guide to converting the rig from the standard Mirror configuration to Side by Side.**

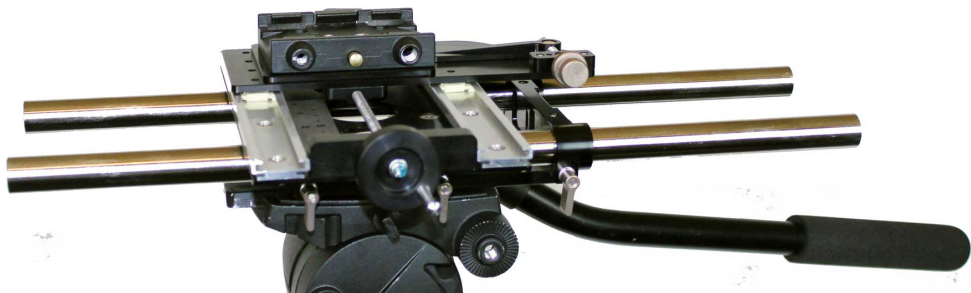
**Further Information can be found at [www.hurricane-rig.com](http://www.hurricane-rig.com)**

## **IMPORTANT:**

**During this procedure you will have to wind the top camera mount from one end of the interaxial adjustment range to the other. Be careful not to wind it so far that it starts to come off the bearing guide rails.**

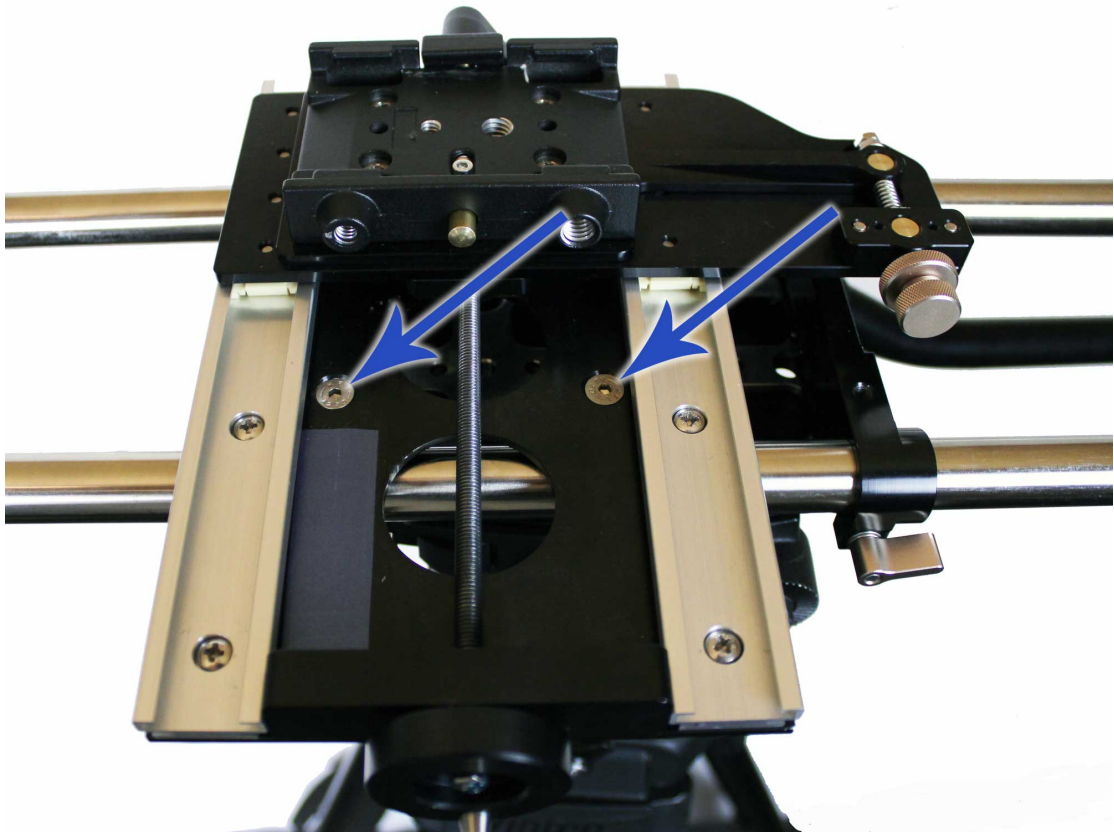
## **STEP 1:**

Start by mounting the top camera assembly on a tripod and inserting the two long stainless steel rods into the assembly, as you would if building the rig normally.



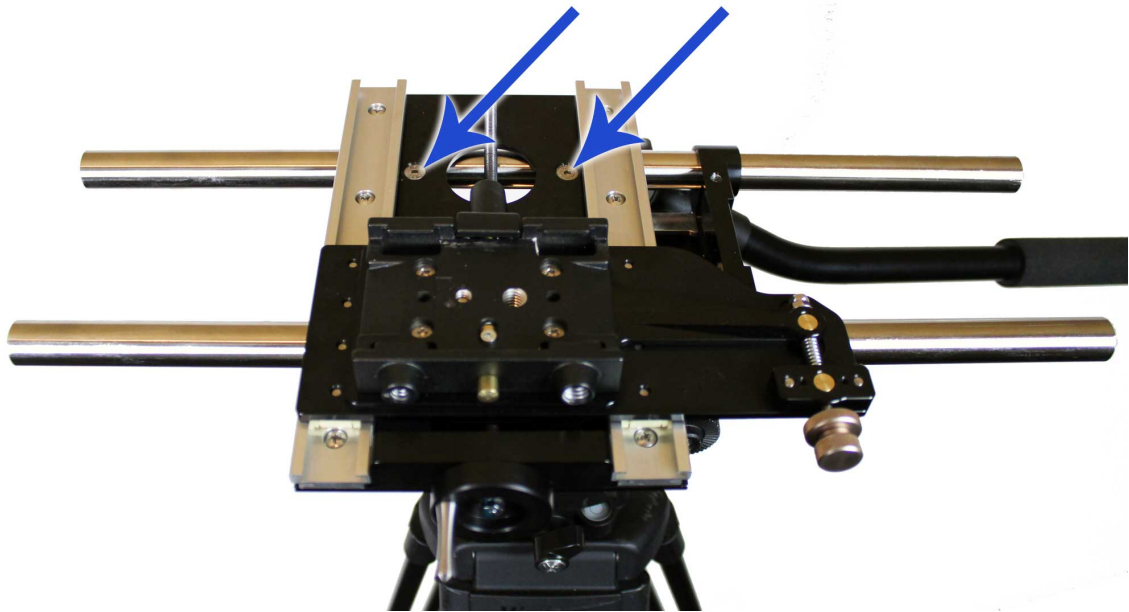
## STEP 2:

Turn the interaxial control anti clockwise to wind the top camera mount away from the interaxial control knob, until you reach just pass the end of the interaxial scale. Remove the interaxial scale. Underneath this you will find an allen (hex) head bolt. Undo this allen head bolt and the one opposite. These are indicated by the arrows in the picture below. DO NOT remove any other screws or bolts.



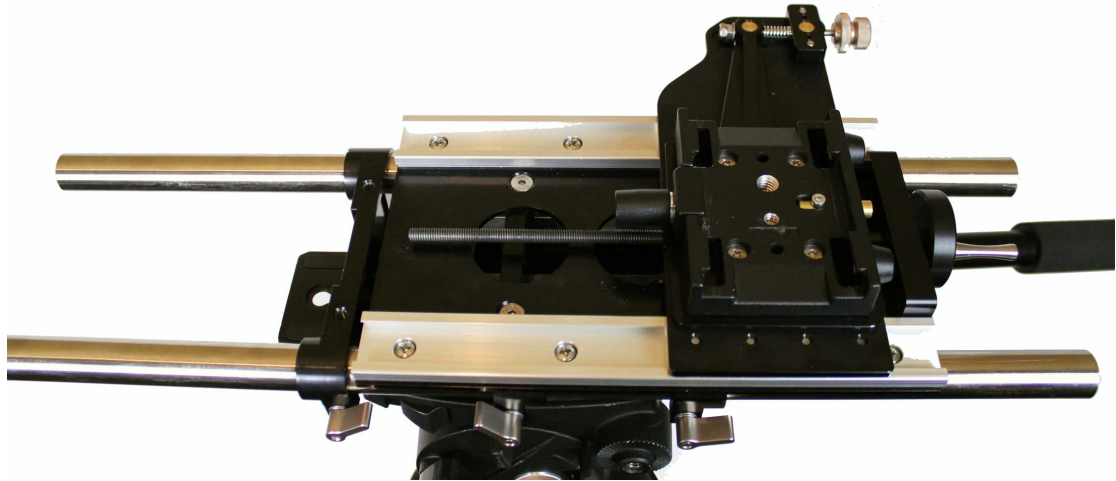
## STEP 3:

Now turn the interaxial control clockwise to bring the camera platform almost all the way towards the interaxial control knob. This will reveal two more allen head bolts similar to the ones you have just removed. Remove these two bolts (arrowed in the picture below). At this point the top platform assembly will come free from the rail sliders.



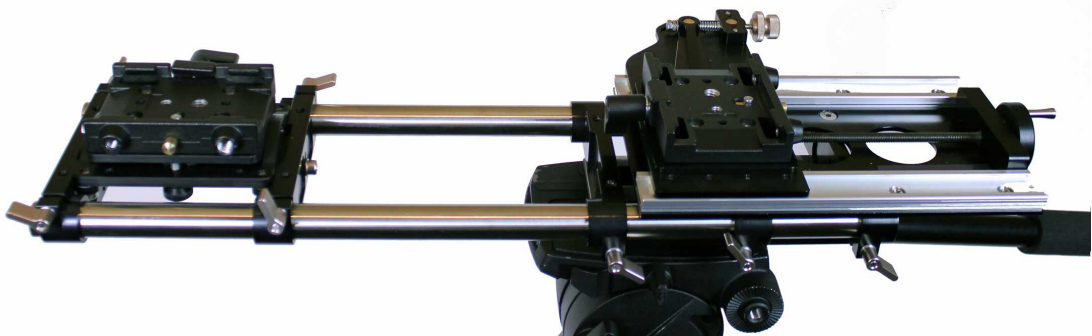
## STEP 4:

Now turn the top camera platform through 90 degrees and re-attach it to the rail sliders using the four allen head bolts you removed in the previous steps.



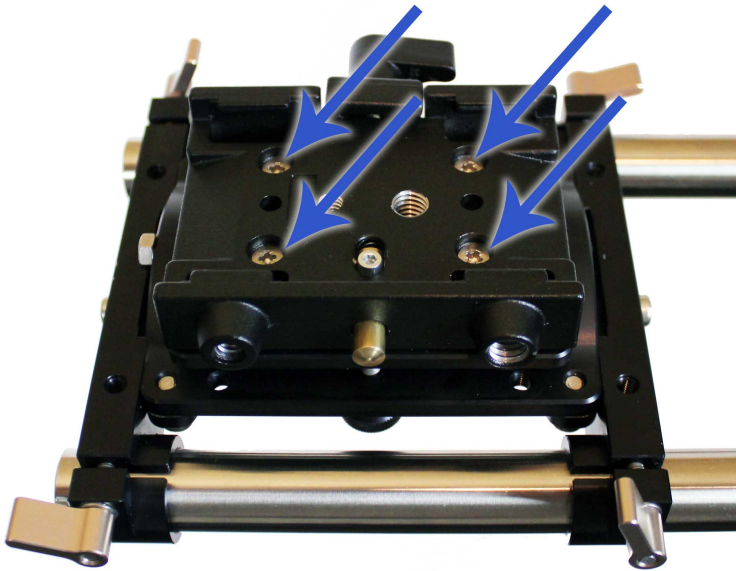
## STEP 5:

Slide the lower camera assembly on to the end of the long rails as in the picture below.



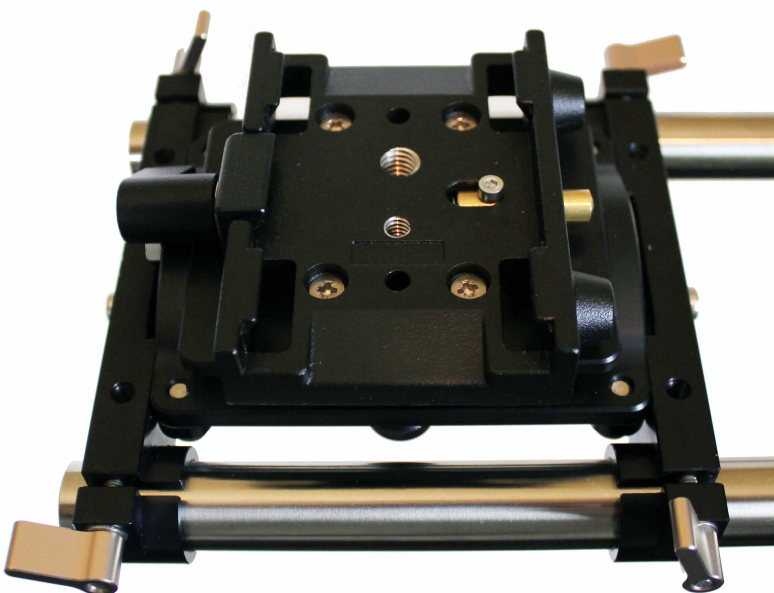
## STEP 6:

Unscrew the 4 screws arrowed in the image below that attach the quick release plate on the lower camera mount.



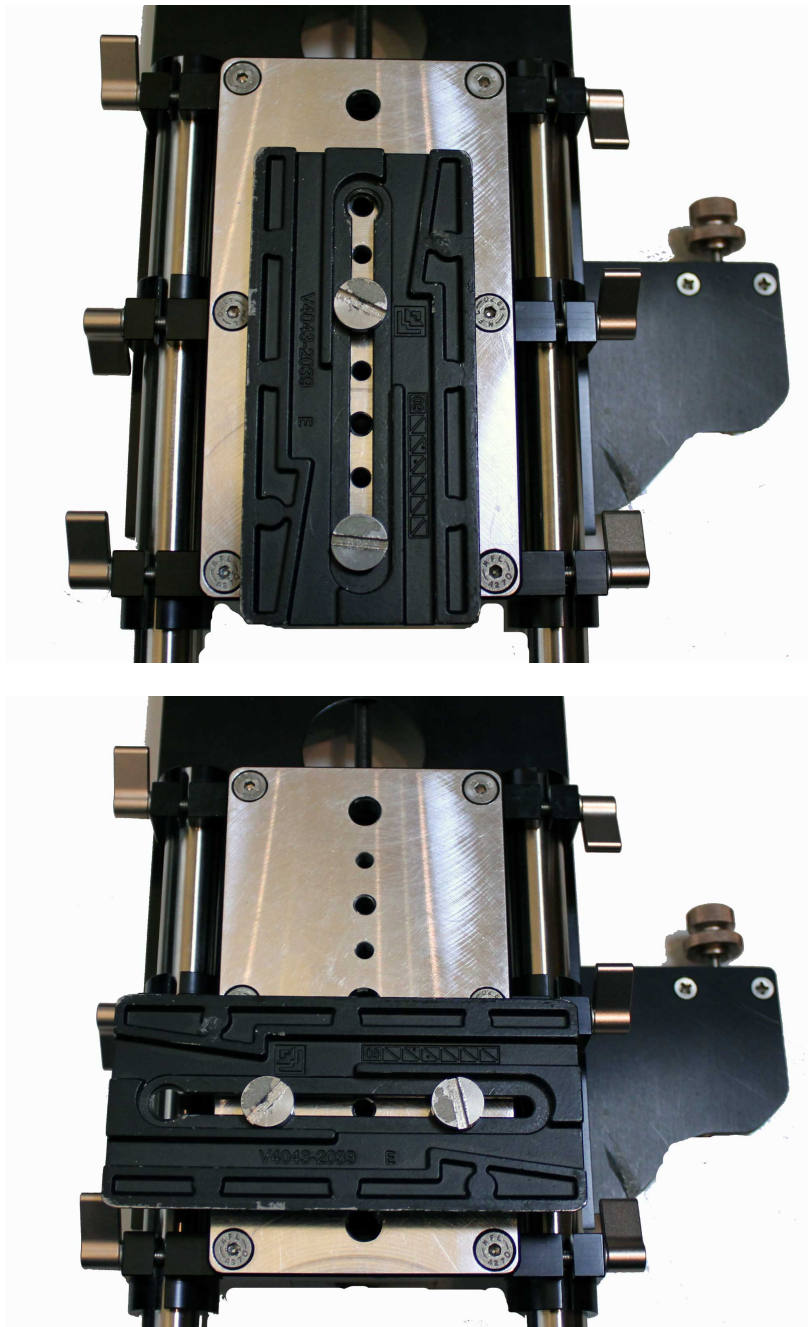
## STEP 7:

Turn the quick release plate through 90 degrees and re-attach using the four screws removed in step 6.



## Step 8:

Remove the rig from the tripod and remove the tripod plate from the upper camera platform assembly. This can then be turned through 90 degrees and re-attached. Once re-attached re-mount the rig on the tripod.



## STEP 9:

Mount the cameras on the rig.



## NOTES:

In Side by Side configuration the adjusters normally used for camera roll adjustment act as camera tilt adjusters on the static camera.

There is no adjustment for roll in side by side configuration. Small roll errors can easily be removed in post production. If you have large roll errors you may need to use shims between the camera and its base plate. This strips of card or plastic can be used.

To improve the balance of the rig you can put the accessory plate assembly in between the two camera platforms and use this to mount the tripod plate. To do this remove the large base plate that the tripod plate normally attaches to from the upper camera assembly. Then attach this plate to the underside of the accessory plate assembly.